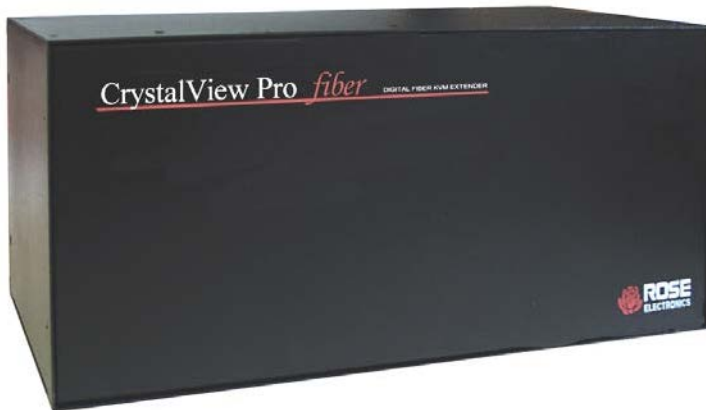


# CrystalView Pro *fiber* Rack



## Digital fiber KVM extender rack

Rack containing 10 CrystalView Pro fiber transmitters or receivers

Extends keyboard, video, and mouse signals up to 33,000 feet away

Supports DVI and VGA video at resolutions up to 1600 x 1200 (Optional 1900 x 1200)

Single, Dual, Serial and Audio models

Easily adapted to your system

## Features and Benefits

- Extend 10 KVM stations from 10 CPUs via fiber cable:
  - (Multimode) 62.5-micron cable up to 650 feet
  - (Multimode) 50-micron cable up to 1,300 feet
  - (Singlemode) 9-micron cable up to 33,000 feet
- Supports:
  - DVI and VGA video modes
  - PS/2, SUN, USB keyboards and mice
- Full stereo audio (optional)
- Serial (optional RS232)
- Video resolutions up to 1600 x 1200 (1900 x 1200 optional)
- Flexible modular architecture
- Compatible with Rose Electronics KVM switches such as ServeView Pro, UltraView Pro, and UltraMatrix
- Compatible with Windows, Windows NT, OS/2, UNIX, Linux, and other operating systems
- Uses a microprocessor to emulate the keyboard and mouse. The keyboard and mouse on the receiver unit do not have to be connected for the PC to boot; only the transmitter must be connected to the PC.
- Fully automatic KVM sharing (Local access models)
- Only two fibers needed
- Digital OSD setup menu
- Rack mount kits available for 4U chassis in 19", 23", or 24"

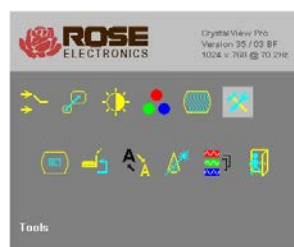
## CrystalView™ Pro *fiber* Rack Advantage

The CrystalView Pro fiber rack is the KVM extender of choice for businesses that need to extend and operate several computers, servers, or KVM switches from a great distance. The CrystalView Pro fiber rack makes this possible by the use of standard fiber optic cable. You can fully operate and control 10 computers or servers from as far away as 33,000 feet using 9-micron fiber cable.

The CrystalView Pro fiber rack supports both DVI video as well as analog VGA video. All combinations of DVI and VGA video cards and monitors are supported. The OSD features make it easy to adjust all the necessary device parameters, color, brightness, contrast, and saturation. Using fiber cable, you can extend the distance between the transmitter and receiver further than with conventional CAT5 cable. In addition, fiber cable is unaffected by electromagnetic interference, keeping your data safe from interference from lightning and over voltage transients.

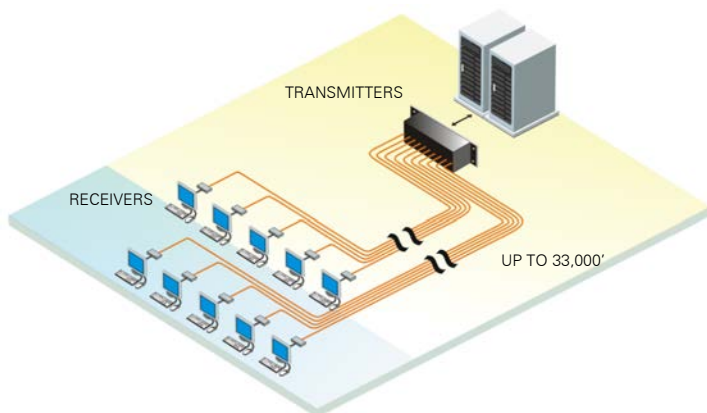
The modular architecture makes the CrystalView Pro fiber easily adapted to your system. PS/2, SUN, and USB peripherals are supported. CAT5, Multimode and Singlemode fiber cabling, serial for Touchscreens and other supported serial devices, stereo audio, parallel for printers, and 10BaseT Ethernet are also supported as options.

Up to 10 transmitters or receivers can be installed. Each module is totally independent giving you the flexibility needed to interface to PCs, serial devices, Sun systems, Touchscreens, and more from a central location.



On-screen display

## Typical Application



Access computers up to 6 miles away over fiber optic cable

**CrystalView Pro fiber basics** The CrystalView Pro fiber consists of a transmitter that connects to a PC, server, or KVM switch and a receiver that connects to a keyboard, monitor, and mouse, or a KVM switch. The transmitter and receiver units are connected together with up to 33,000 feet of standard 9-micron optical fiber cable.

The ideal way to apply the CrystalView Pro fiber is to connect the transmitter to a Rose Electronics KVM switch. Expanding the switch allows the receiver to access up to 1,000 computers or servers. The Rose KVM switch can be connected between the transmitter and computers, the KVM station and the receiver unit, or both.

**Installation** Installing the CrystalView Pro fiber unit is as easy as connecting the KVM station to the receiver, connecting the CPU to the transmitter, and connecting the transmitter to the receiver with fiber cable.

**Models** The CrystalView Pro fiber is available in different models with PC, SUN, and USB support. The PC model is available in a dual version allowing for a second KVM station next to the PC's, providing operation from the transmitter or the receiver unit.

**Keyboard and mouse emulation** The CrystalView Pro fiber uses a microprocessor to emulate the keyboard and mouse. This means that the keyboard and mouse on the receiver do not have to be connected for the PC to boot. Only the Transmitter must be connected to the PC.

**Rack Assembly** The CrystalView Pro fiber Rack is designed to easily mount in a standard 19" rack.

## Part Numbers

### Single rack cards

|                   |                          |
|-------------------|--------------------------|
| CRV-DLDFMPDVI-xRK | Local-PC-Dual-Multimode  |
| CRV-SRDFMPDVI-xRK | Remote-PC-Multimode      |
| CRV-DLDFSPDVI-xRK | Local-PC-Dual-Singlemode |
| CRV-SRDFSPDVI-xRK | Remote-PC-Singlemode     |
| CRV-SLDFMUDVI-xRK | Local-USB-Multimode      |
| CRV-SRDFMUDVI-xRK | Remote-USB-Multimode     |
| CRV-SLDFSUDVI-xRK | Local-USB-Singlemode     |
| CRV-SRDFSUDVI-xRK | Remote-USB-Singlemode    |

x = I - Internal PSU / E - External PSU

### Rack units populated with 10 cards

|                     |                          |
|---------------------|--------------------------|
| CRV-CH10/DVI        | 10 slot empty chassis    |
| CRV-DLDFMPDVI-RK10L | Local-PC-Dual-Multimode  |
| CRV-SRDFMPDVI-RK10R | Remote-PC-Dual-Multimode |
| CRV-DLDFSPDVI-RK10L | Local-PC-Dual-Singlemode |
| CRV-SRDFSPDVI-RK10R | Remote-PC-Singlemode     |
| CRV-SLDFMUDVI-RK10L | Local-USB-Multimode      |
| CRV-SRDFMUDVI-RK10R | Remote-USB-Multimode     |
| CRV-SLDFSUDVI-RK10L | Local-USB-Singlemode     |
| CRV-SRDFSUDVI-RK10R | Remote-USB-Singlemode    |

ACC-DVIMVFGA to DVI converter  
 RM-UM16nn Rackmount kit nn=19,23,24  
 /AUD part number suffix = Audio and serial option

### Specifications

|                |  |
|----------------|--|
| Dimensions     | 16.7 W x 7.0 D x 7.0 H   |
| Weight         | Chassis – 15.5 lbs<br>Fully populated chassis approx. 30 lbs<br>(Depending on model)   |
| Operating Temp | 10°C – 45°C / 50°F – 113°F   |
| Humidity       | 80% max, non-condensing  |
| Resolution     | Up to 1900 x 1200  |
| Connectors     | Video – DVI<br>PC-Keyboard/Mouse – MiniDin6<br>USB – Keyboard/Mouse – Type A/B<br>Power – 4-Pin square<br>Program – RJ22<br>Serial – DB9M<br>Audio – 3.5mm stereo jack (2) |
| Wavelength     | (Multimode) – 850nm<br>(Singlemode) – 1300nm   |
| Power          | (Multimode) – 70-400μw<br>(Singlemode) – 180-2000μw  |
| Approvals:     | CE   |



Rearview - 10 module rack

■ Phone: 281-933-7673 ■ E-mail: sales@rose.com ■

10707 Stancliff Rd. Houston, TX 77099

Rose Electronics – Europe: +49 (0)2454 969442 Rose Electronics – Asia: +65 6324 2322

DS-CRVPFR-2.2

© Copyright 2004 Rose Electronics. All rights reserved



WWW.ROSE.COM